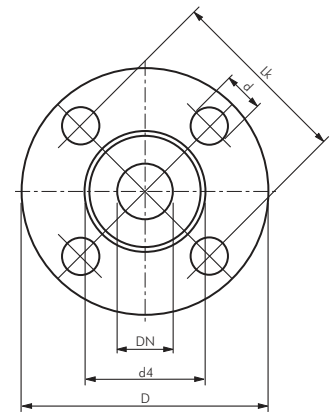


## Hauptabmessungen - Flansche nach EN 1092-1 und DIN

| Norm  | DN        | Außen Ø<br>D | Loch-<br>kreis Ø<br>Lk | Schrau-<br>benloch<br>d | Anzahl<br>Schrau-<br>benlöcher | Ø Dicht-<br>fläche<br>d4 | Flansch-<br>stärke inkl.<br>Dichtfläche |
|---|-----------|--------------|------------------------|-------------------------|--------------------------------|--------------------------|---|
| EN 1092-1 / DIN<br>PN 6   | 15        | 80           | 55                     | 11                      | 4                              | 40                       | 12                                      |
|   | 20        | 90           | 65                     | 11                      | 4                              | 50                       | 14                                      |
|   | 25        | 100          | 75                     | 11                      | 4                              | 60                       | 14                                      |
|   | 32        | 120          | 90                     | 14                      | 4                              | 70                       | 14                                      |
|   | 40        | 130          | 100                    | 14                      | 4                              | 80                       | 14                                      |
|   | 50        | 140          | 110                    | 14                      | 4                              | 90                       | 14                                      |
|   | 65        | 160          | 130                    | 14                      | 4                              | 110                      | 14                                      |
|   | 80        | 190          | 150                    | 18                      | 4                              | 128                      | 16                                      |
|   | 100       | 210          | 170                    | 18                      | 4                              | 148                      | 16                                      |
|   | 125       | 240          | 200                    | 18                      | 8                              | 178                      | 18                                      |
|   | 150       | 265          | 225                    | 18                      | 8                              | 202                      | 18                                      |
|   | 200       | 320          | 280                    | 18                      | 8                              | 258                      | 20                                      |
|   | 250       | 375          | 335                    | 18                      | 12                             | 312                      | 22                                      |
|   | 300       | 440          | 395                    | 22                      | 12                             | 365                      | 22                                      |
|   | 350       | 490          | 445                    | 22                      | 12                             | 415                      | 22                                      |
|   | 400       | 540          | 495                    | 22                      | 16                             | 465                      | 22                                      |
| 450   | 595       | 550          | 22                     | 16                      | 520                            | 22                       |   |
| 500   | 645       | 600          | 22                     | 20                      | 570                            | 24                       |   |
| EN 1092-1 / DIN<br>PN 10 und PN 16<br><small>(Werte in Klammern gelten für PN 10)</small>   | 15        | 95           | 65                     | 14                      | 4                              | 45                       | 16/14                                   |
|   | 20        | 105          | 75                     | 14                      | 4                              | 58                       | 18/16                                   |
|   | 25        | 115          | 85                     | 14                      | 4                              | 68                       | 18/16                                   |
|   | 32        | 140          | 100                    | 18                      | 4                              | 78                       | 18/16                                   |
|   | 40        | 150          | 110                    | 18                      | 4                              | 88                       | 18/16                                   |
|   | 50        | 165          | 125                    | 18                      | 4                              | 102                      | 18                                      |
|   | 65        | 185          | 145                    | 18                      | 8/4                            | 122                      | 18                                      |
|   | 80        | 200          | 160                    | 18                      | 8                              | 138                      | 20                                      |
|   | 100       | 220          | 180                    | 18                      | 8                              | 158                      | 20                                      |
|   | 125       | 250          | 210                    | 18                      | 8                              | 188                      | 22                                      |
|   | 150       | 285          | 240                    | 22                      | 8                              | 212                      | 22                                      |
|   | 175       | 315          | 270                    | 22                      | 8                              | 242                      | 24                                      |
|   | 200       | 340          | 295                    | 22                      | 12 (8)                         | 268                      | 24                                      |
|   | 250       | 405 (395)    | 355 (350)              | 26 (22)                 | 12                             | 320                      | 26                                      |
|   | 300       | 460 (445)    | 410 (400)              | 26 (22)                 | 12                             | 378 (370)                | 28 (26)                                 |
|   | 350       | 520 (505)    | 470 (460)              | 26 (22)                 | 16                             | 438 (430)                | 30 (26)                                 |
| 400   | 580 (565) | 525 (515)    | 30 (26)                | 16                      | 490 (482)                      | 32 (26)                  |   |
| 450   | 640 (615) | 585 (565)    | 30 (26)                | 20                      | 550 (532)                      | 34 (28)                  |   |
| 500   | 715 (670) | 650 (620)    | 33 (26)                | 20                      | 610 (585)                      | 36/34 (28/34)            |   |
| EN 1092-1 / DIN<br>PN 25 und PN 40<br><small>(Werte in Klammern gelten für PN 25)</small><br><small>* EN-Blindflansch, PN 40: 36 mm</small> | 15        | 95           | 65                     | 14                      | 4                              | 45                       | 16                                      |
|   | 20        | 105          | 75                     | 14                      | 4                              | 58                       | 18                                      |
|   | 25        | 115          | 85                     | 14                      | 4                              | 68                       | 18                                      |
|   | 32        | 140          | 100                    | 18                      | 4                              | 78                       | 18                                      |
|   | 40        | 150          | 110                    | 18                      | 4                              | 88                       | 18                                      |
|   | 50        | 165          | 125                    | 18                      | 4                              | 102                      | 20                                      |
|   | 65        | 185          | 145                    | 18                      | 8                              | 122                      | 22                                      |
|   | 80        | 200          | 160                    | 18                      | 8                              | 138                      | 24                                      |
|   | 100       | 235          | 190                    | 22                      | 8                              | 162                      | 24                                      |
|   | 125       | 270          | 220                    | 26                      | 8                              | 188                      | 26                                      |
|   | 150       | 300          | 250                    | 26                      | 8                              | 218                      | 28                                      |
|   | 200       | 375 (360)    | 320 (310)              | 30 (26)                 | 12                             | 285 (278)                | 34* (30)                                |
|   | 250       | 450 (425)    | 385 (370)              | 33 (30)                 | 12                             | 345 (335)                | 38 (32)                                 |
|   | 300       | 515 (485)    | 450 (430)              | 33 (30)                 | 16                             | 410 (395)                | 42 (34)                                 |
|   | 350       | 580 (555)    | 510 (490)              | 36 (33)                 | 16                             | 465 (450)                | 46 (38)                                 |
|   | 400       | 660 (620)    | 585 (550)              | 39 (36)                 | 16                             | 535 (505)                | 50 (40)                                 |
| 450   | 685 (670) | 610 (600)    | 39 (36)                | 20                      | 560 (555)                      | 57 (46/40)               |   |
| 500   | 755 (730) | 670 (660)    | 42 (36)                | 20                      | 615                            | 57/52 (48/44)            |   |
| EN 1092-1 PN 63 /<br>DIN PN 64  | 10        | 100          | 70                     | 14                      | 4                              | 40                       | 20                                      |
|   | 15        | 105          | 75                     | 14                      | 4                              | 45                       | 20                                      |
|   | 20        | 130          | 90                     | 18                      | 4                              | 58                       | 22                                      |
|   | 25        | 140          | 100                    | 18                      | 4                              | 68                       | 24                                      |
|   | 32        | 155          | 110                    | 22                      | 4                              | 78                       | 24                                      |
|   | 40        | 170          | 125                    | 22                      | 4                              | 88                       | 26                                      |
|   | 50        | 180          | 135                    | 22                      | 4                              | 102                      | 26                                      |
|   | 65        | 205          | 160                    | 22                      | 8                              | 122                      | 26                                      |
|   | 80        | 215          | 170                    | 22                      | 8                              | 138                      | 28                                      |
|   | 100       | 250          | 200                    | 26                      | 8                              | 162                      | 30                                      |
|   | 125       | 295          | 240                    | 30                      | 8                              | 188                      | 34                                      |
|   | 150       | 345          | 280                    | 33                      | 8                              | 218                      | 36                                      |
|   | 200       | 415          | 345                    | 36                      | 12                             | 285                      | 42                                      |
|   | 250       | 470          | 400                    | 36                      | 12                             | 345                      | 46                                      |
|   | 300       | 530          | 460                    | 36                      | 16                             | 410                      | 52                                      |
|   | 350       | 600          | 525                    | 39                      | 16                             | 465                      | 56                                      |
| 400   | 670       | 585          | 42                     | 16                      | 535                            | 60                       |   |



Weitere Abmessungen  
auf der nächsten Seite

# Flansche

Abmessungen  
von Vorseite



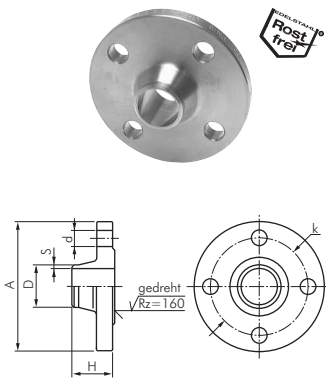
| Norm                                  | DN  | Außen Ø<br>D | Loch-<br>kreis Ø<br>Lk | Schrau-<br>benloch<br>d | Anzahl<br>Schrau-<br>benlöcher | Ø Dicht-<br>fläche<br>d4 | Flansch-<br>stärke inkl.<br>Dichtfläche |
|---------------------------------------|-----|--------------|------------------------|-------------------------|--------------------------------|--------------------------|---|
|                                       | 10  | 100          | 70                     | 14                      | 4                              | 40                       | 20                                      |
| <b>EN 1092-1 / DIN</b>                | 15  | 105          | 75                     | 14                      | 4                              | 45                       | 20                                      |
| <b>PN 100 und PN 160</b>              | 20  | 130          | 90                     | 18                      | 4                              | 58                       | 22                                      |
| (Werte in Klammern gelten für PN 160) | 25  | 140          | 100                    | 18                      | 4                              | 68                       | 24                                      |
|                                       | 32  | 155          | 110                    | 22                      | 4                              | 78                       | 24 (26)                                 |
|                                       | 40  | 170          | 125                    | 22                      | 4                              | 88                       | 26 (28)                                 |
|                                       | 50  | 195          | 145                    | 26                      | 4                              | 102                      | 26/28 (30/28)                           |
|                                       | 65  | 220          | 170                    | 26                      | 8                              | 122                      | 26/30 (34/30)                           |
|                                       | 80  | 230          | 180                    | 26                      | 8                              | 138                      | 30/32 (36/32)                           |
|                                       | 100 | 265          | 210                    | 30                      | 8                              | 162                      | 33/36 (40/36)                           |
|                                       | 125 | 315          | 250                    | 33                      | 8                              | 188                      | 33/40 (44/40)                           |
|                                       | 150 | 355          | 290                    | 33                      | 12                             | 218                      | 36/44 (50/44)                           |
|                                       | 200 | 430          | 360                    | 36                      | 12                             | 285                      | 39/52 (60/52)                           |
|                                       | 250 | 505 (515)    | 430                    | 36 (42)                 | 12                             | 345                      | 42/60 (68/60)                           |
|                                       | 300 | 585          | 500                    | 42                      | 16                             | 410                      | 48/68 (78/68)                           |
|                                       | 350 | 655          | 560                    | 48                      | 16                             | 465                      | 74                                      |

# Flansche

## Vorschweißflansche DIN 2633 / EN 1092-1 (Typ 11)

PN 16

Optional: PN 6 (DIN 2631) -6, PN 10 (DIN 2632) -10, PN 25 (DIN 2634) -25, PN 40 (DIN 2635) -40, PN 63/64 (DIN 2636) -63, PN 100 (DIN 2637) -100, PN 160 (DIN 2638) -160, EN 1092-1 (Typ 11) -EN



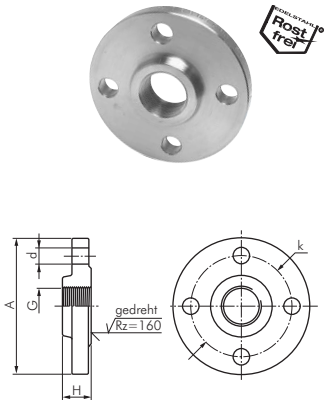
| Typ 1.4571  | Typ Stahl schwarz | Anzahl Löcher* | DN  | D     | S   | A   | H  | d  | k   |
|-------------|-------------------|----------------|-----|-------|-----|-----|----|----|-----|
| FL 10 V ES  | FL 10 V ST        | 4              | 10  | 17,2  | 1,8 | 90  | 35 | 14 | 60  |
| FL 15 V ES  | FL 15 V ST        | 4              | 15  | 21,3  | 2,0 | 95  | 35 | 14 | 65  |
| FL 20 V ES  | FL 20 V ST        | 4              | 20  | 26,9  | 2,3 | 105 | 38 | 14 | 75  |
| FL 25 V ES  | FL 25 V ST        | 4              | 25  | 33,7  | 2,6 | 115 | 38 | 14 | 85  |
| FL 32 V ES  | FL 32 V ST        | 4              | 32  | 42,4  | 2,6 | 140 | 40 | 18 | 100 |
| FL 40 V ES  | FL 40 V ST        | 4              | 40  | 48,3  | 2,6 | 150 | 42 | 18 | 110 |
| FL 50 V ES  | FL 50 V ST        | 4              | 50  | 60,3  | 2,9 | 165 | 45 | 18 | 125 |
| FL 65 V ES  | FL 65 V ST        | 4              | 65  | 76,1  | 2,9 | 185 | 45 | 18 | 145 |
| FL 80 V ES  | FL 80 V ST        | 8              | 80  | 88,9  | 3,2 | 200 | 50 | 18 | 160 |
| FL 100 V ES | FL 100 V ST       | 8              | 100 | 114,3 | 3,6 | 220 | 52 | 18 | 180 |
| FL 125 V ES | FL 125 V ST       | 8              | 125 | 139,7 | 4,0 | 250 | 55 | 18 | 210 |
| FL 150 V ES | FL 150 V ST       | 8              | 150 | 168,3 | 4,5 | 285 | 55 | 22 | 240 |
| FL 200 V ES | FL 200 V ST       | 12             | 200 | 219,1 | 5,9 | 340 | 62 | 22 | 295 |
| FL 250 V ES | FL 250 V ST       | 12             | 250 | 273,0 | 6,3 | 405 | 70 | 26 | 355 |
| FL 300 V ES | FL 300 V ST       | 12             | 300 | 323,9 | 7,1 | 460 | 78 | 26 | 410 |

\* Anzahl der Löcher bei PN 16

## Gewindflansche DIN 2566 / EN 1092-1 (Typ 13)

PN 16

Optional: PN 6 (DIN 2565) -6, PN 10 (DIN 2566) -10, PN 25 (DIN 2567) -25, PN 40 (DIN 2567) -40, EN 1092-1 (Typ 13) -EN



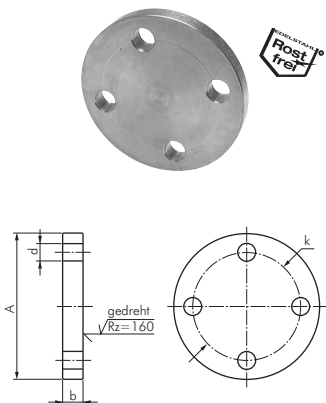
| Typ 1.4571  | Typ Stahl verzinkt | Anzahl Löcher* | DN  | A   | H  | k   | d  | G         |
|-------------|--------------------|----------------|-----|-----|----|-----|----|-----------|
| FL 10 G ES  | FL 10 G ST         | 4              | 10  | 90  | 20 | 60  | 14 | Rp 3/8"   |
| FL 15 G ES  | FL 15 G ST         | 4              | 15  | 95  | 20 | 65  | 14 | Rp 1/2"   |
| FL 20 G ES  | FL 20 G ST         | 4              | 20  | 105 | 24 | 75  | 14 | Rp 3/4"   |
| FL 25 G ES  | FL 25 G ST         | 4              | 25  | 115 | 24 | 85  | 14 | Rp 1"     |
| FL 32 G ES  | FL 32 G ST         | 4              | 32  | 140 | 26 | 100 | 18 | Rp 1 1/4" |
| FL 40 G ES  | FL 40 G ST         | 4              | 40  | 150 | 26 | 110 | 18 | Rp 1 1/2" |
| FL 50 G ES  | FL 50 G ST         | 4              | 50  | 165 | 28 | 125 | 18 | Rp 2"     |
| FL 65 G ES  | FL 65 G ST         | 4              | 65  | 185 | 32 | 145 | 18 | Rp 2 1/2" |
| FL 80 G ES  | FL 80 G ST         | 8              | 80  | 200 | 34 | 160 | 18 | Rp 3"     |
| FL 100 G ES | FL 100 G ST        | 8              | 100 | 220 | 38 | 180 | 18 | Rp 4"     |
| FL 125 G ES | FL 125 G ST        | 8              | 125 | 250 | 40 | 210 | 18 | Rp 5"     |
| FL 150 G ES | FL 150 G ST        | 8              | 150 | 285 | 44 | 240 | 22 | Rp 6"     |

\* Anzahl der Löcher bei PN 16

## Blindflansche DIN 2527 / EN 1092-1 (Typ 05)

PN 16

Optional: PN 10 -10, PN 25 -25, PN 40 -40, PN 63/64 -63, PN 100 -100, PN 160 -160, EN 1092-1 (Typ 05) -EN



| Typ 1.4571  | Typ Stahl verzinkt | Anzahl Löcher* | DN  | A   | b  | k   | d  |
|-------------|--------------------|----------------|-----|-----|----|-----|----|
| FL 10 B ES  | FL 10 B ST         | 4              | 10  | 90  | 14 | 60  | 14 |
| FL 15 B ES  | FL 15 B ST         | 4              | 15  | 95  | 14 | 65  | 14 |
| FL 20 B ES  | FL 20 B ST         | 4              | 20  | 105 | 16 | 75  | 14 |
| FL 25 B ES  | FL 25 B ST         | 4              | 25  | 115 | 16 | 85  | 14 |
| FL 32 B ES  | FL 32 B ST         | 4              | 32  | 140 | 16 | 100 | 18 |
| FL 40 B ES  | FL 40 B ST         | 4              | 40  | 150 | 16 | 110 | 18 |
| FL 50 B ES  | FL 50 B ST         | 4              | 50  | 165 | 18 | 125 | 18 |
| FL 65 B ES  | FL 65 B ST         | 4              | 65  | 185 | 18 | 145 | 18 |
| FL 80 B ES  | FL 80 B ST         | 8              | 80  | 200 | 20 | 160 | 18 |
| FL 100 B ES | FL 100 B ST        | 8              | 100 | 220 | 20 | 180 | 18 |
| FL 125 B ES | FL 125 B ST        | 8              | 125 | 250 | 22 | 210 | 18 |
| FL 150 B ES | FL 150 B ST        | 8              | 150 | 285 | 22 | 240 | 22 |
| FL 200 B ES | FL 200 B ST        | 12             | 200 | 340 | 24 | 295 | 22 |
| FL 250 B ES | FL 250 B ST        | 12             | 250 | 405 | 26 | 355 | 26 |
| FL 300 B ES | FL 300 B ST        | 12             | 300 | 460 | 28 | 410 | 26 |

\* Anzahl der Löcher bei PN 16

Bestellbeispiel: FL 10 V ES \*\*

Standardtyp

| Kennzeichen der Optionen: |      |
|---------------------------|------|
| PN 6                      | -6   |
| PN 10                     | -10  |
| PN 25                     | -25  |
| PN 40                     | -40  |
| PN 64                     | -64  |
| PN 100                    | -100 |
| PN 160                    | -160 |
| EN 1092-1                 | -EN  |



Lochanzahl abhängig von Nennweite und Druckstufe, siehe Flanschmaßstabelle auf Seite 445

